

Model: Model U-P1		Date: 19-Dec-02	No.: MG071001
Modified Article: Parts Catalogue		Prepared by: H.K.	
From: Technical Services sec. Service Planning Dept.			
Reason for Modification:	<input checked="" type="checkbox"/> Parts catalog correction	<input type="checkbox"/> Vendor change	<input type="checkbox"/> To meet standards ()
	<input type="checkbox"/> To facilitate assembly	<input type="checkbox"/> To improve reliability	
	<input type="checkbox"/> Part standardization	<input type="checkbox"/> Other	

Please apply the following corrections to your Parts Catalogs.

● P/N Correction

Incorrect part number	Correct part number	Description	Q'ty	Int	Page	Index	Note
AE020119	AE020132	Pressure Roller - Assembly	1		31	20	

● Deletion

The OPC waste toner and transfer belt waste toner bottles were mistakenly registered as spare parts (they are supplied as maintenance kits).

Part number	Description	Q'ty	Page	Index	Note
G0702100	OPC Belt Waste Toner Bottle	1	25	2	
G0706310	Transfer Belt Waste Toner Bottle	1	25	3	

Model: Model U-P1	Date: 27-Dec-02	No.: MG071002
-------------------	-----------------	---------------

Modified Article: Development unit - MYC		Prepared by: H.K.	
From: Technical Services Sec. Service Planning Dept.			
Reason for Modification:	<input type="checkbox"/> Parts catalog correction	<input checked="" type="checkbox"/> Vendor change	<input type="checkbox"/> To meet standards ()
	<input type="checkbox"/> To facilitate assembly	<input type="checkbox"/> To improve reliability	
	<input type="checkbox"/> Part standardization	<input type="checkbox"/> Other	

Old part number	New part number	Description	Q'ty	Int	Page	Index	Note
G0703501	G7823025	Development Unit - M Ass'y	1	O/O	27	22	
G0703502	G7823026	Development Unit - Y Ass'y	1	O/O	27	20	
G0703503	G7823027	Development Unit - C Ass'y	1	O/O	27	21	

Due to a vendor change, the P/N for the M, C and Y Development Units have been changed.

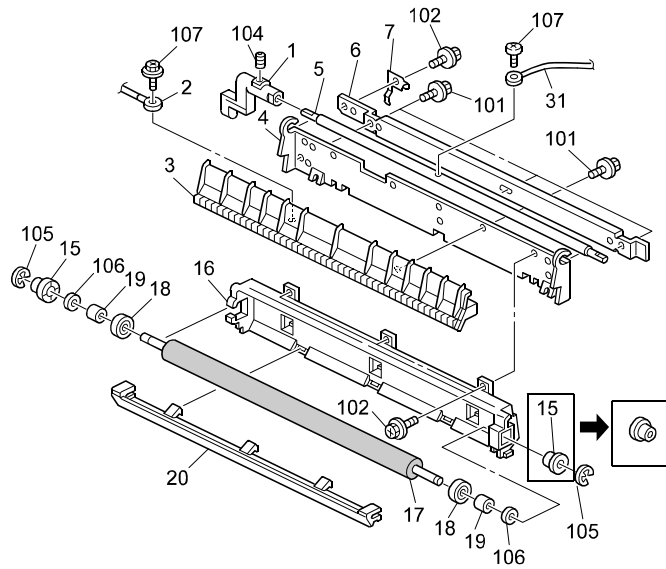
Model: Model U-P1		Date: 20-Jan-03	No.: MG071003
Modified Article: Mistake in picture/Drawing of transfer roller shaft		Prepared by: Y.Urushihara	
From: Technical Services Sec. Service Planning Dept.			
Reason for Modification:	<input checked="" type="checkbox"/> Parts catalog correction	<input type="checkbox"/> Vendor change	<input type="checkbox"/> To meet standards ()
	<input type="checkbox"/> To facilitate assembly	<input type="checkbox"/> To improve reliability	
	<input type="checkbox"/> Part standardization	<input type="checkbox"/> Other	

Please apply the following correction to your Parts Catalogs.



Page 21, Index #15 (Model U-P1):

The orientation of the bearing shown below (on the right only) should be reversed.



Model: Model U-P1		Date: 22-Jan-03	No.: MG071004
Modified Article: Charge Corona and Guide Plate		Prepared by: H.K.	
From: Technical Services Sec. Service Planning Dept.			
Reason for Modification:	<input type="checkbox"/> Parts catalog correction <input type="checkbox"/> To facilitate assembly <input type="checkbox"/> Part standardization	<input type="checkbox"/> Vendor change <input checked="" type="checkbox"/> To improve reliability <input type="checkbox"/> Other	<input type="checkbox"/> To meet standards ()

Old part number	New part number	Description	Q'ty	Int	Page	Index	Note
B0512151	B0512160	Charge Corona Assembly	1 - 1	X/O	25	1	1
(G0702178)	G0702110	Charge Corona Wire	1 - 1	X/O	25	10	
(G0702177)	G0702142	Seal – Charge Corona	1 - 1	X/O	25	#14	
	G0702116	Protection Sheet	0 - 1		25	#45	
	G0702735	Guide Plate – Side Fence	0 - 2		17	#29	2

#: New index

Note: The following modifications were applied to the production line from the beginning of September '02 production.

1. Charge Corona Assembly

The following changes have been applied to the production line to ensure even image density:

- The charge corona wire has been changed from a gold-plated to a platinum-plated wire.

Note: The new part number is listed in the parts catalogue.

- The material of the charge corona seal has been changed to reduce the friction between the seal and OPC belt.

Note: The charge corona seal is not included in the P/C illustration on pg. 24, so please apply the correction shown below in Fig. 1. Also, the old part number is not listed on pg. 25, so please add the new part number and index number listed above to this list.

- To reduce the possibility of damaging the OPC belt when the charge corona unit is removed from and installed into the PCU, a protection sheet has been added to the rear end of the charge corona grid (see Fig.1).

2. Guide Plate – Side Fence

To reduce the possibility of paper skew, two pieces of Mylar have been added to the front side fence. For details, please refer to RTB No. 001.

Model: Model U-P1	Date: 22-Jan-03	No.: MG071004
-------------------	-----------------	---------------

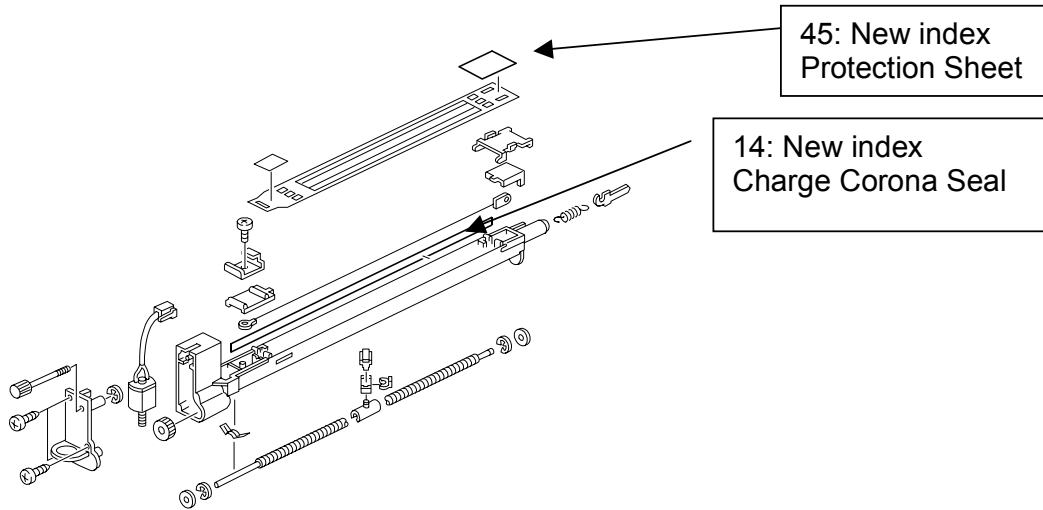


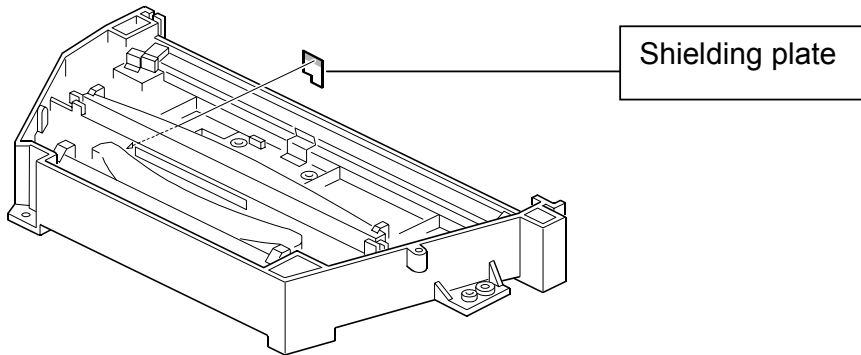
Fig. 1

Model: Model U-P1		Date: 19-Feb-03	No.: MG071005
Modified Article: Shielding Plate in LD unit		Prepared by: H.K.	
From: Technical Services Sec. Service Planning Dept.			
Reason for Modification:	<input type="checkbox"/> Parts catalog correction	<input type="checkbox"/> Vendor change	<input type="checkbox"/> To meet standards ()
	<input type="checkbox"/> To facilitate assembly	<input type="checkbox"/> To improve reliability	
	<input type="checkbox"/> Part standardization	<input checked="" type="checkbox"/> Other	

Old part number	New part number	Description	Q'ty	Int	Page	Index	Note
	B0511969	Shielding Plate	1		23	*22	

*: New index

To improve image quality, a Shielding Plate has been added for filtering out excessive light.



[RAI (China) Production]

MODEL NAME	V/Hz	DESTINATION	CODE	SERIAL NO.
Ricoh Aficio CL5000 Savin CLP1036 Gestetner C7010 Lanier LP 036c	120/60	USA	G071-17	P7527200282
Gestetner C7010 Nashuatec C7010 Rex Rotary C7010	220,230,240/ 50,60	Europe, etc	G071-22	P7527200192
Lanier LP 036c	220,230,240/ 50	Europe	G071-24	L1043810001
Infotec IPC1036	220,230,240/ 50	Europe	G071-26	4K2823xxxx
Ricoh Aficio CL5000	220,230,240/ 50,60	Europe, Asia, etc	G071-27	P7536100099

Model: Model U-P1		Date: 21-May-03	No.: MG071006
Modified Article: Rear Lever Stopper		Prepared by: Y.Urushihara	
From: 1st Tech. Support Sec. Service Support Dept.			
Reason for Modification:	<input type="checkbox"/> Parts catalog correction <input type="checkbox"/> To facilitate assembly <input type="checkbox"/> Part standardization	<input type="checkbox"/> Vendor change <input checked="" type="checkbox"/> To improve reliability <input type="checkbox"/> Other	<input type="checkbox"/> To meet standards ()

The shape of the Rear Lever Stopper (top portion of the Rear Side Fence) has been changed to ensure that the fence is not pulled from the weight of the paper stack when the tray is set, which can cause skew.

Old part number	New part number	Description	Q'ty	Int	Page	Index	Note
G0702717	G0702718	Rear Lever Stopper	1-1	X/O	17	27	

[RAI (China) Production]

MODEL NAME	V/Hz	DESTINATION	CODE	SERIAL NO.
Ricoh Aficio CL5000 Savin CLP1036 Gestetner C7010 Lanier LP 036c	120/60	USA	G071-17	P7527200282
Gestetner C7010 Nashuatec C7010 Rex Rotary C7010	220,230,240/ 50,60	Europe, etc	G071-22	P7527200192
Lanier LP 036c	220,230,240/ 50	Europe	G071-24	L1043810001
Infotec IPC1036	220,230,240/ 50	Europe	G071-26	4K2833xxxx
Ricoh Aficio CL5000	220,230,240/ 50,60	Europe, Asia, etc	G071-27	P7536100099

Reissued: 1-Sep-03

Model: Model U-P1	Date: 29-May-03	No.: MG071007a
-------------------	-----------------	----------------

MB Correction

The items in bold italics have been corrected or added.

Modified Article: Parts Catalogue		Prepared by: H.K.	
From: 1st Tech. Support Sec. Service Support Dept.			
Reason for Modification:	<input checked="" type="checkbox"/> Parts catalog correction	<input type="checkbox"/> Vendor change	<input type="checkbox"/> To meet standards ()
	<input type="checkbox"/> To facilitate assembly	<input type="checkbox"/> To improve reliability	
	<input type="checkbox"/> Part standardization	<input type="checkbox"/> Other	

Please apply the following corrections to your Parts Catalogues.

- **Delete** the following Total Counter, as it was mistakenly listed in the catalogue (not used on this model).

Incorrect part number	Correct part number	Description	Q'ty	Int	Page	Index	Note
G0709099		Total Counter			41	26	

- **Add the following (previously missing):**

<i>Part number</i>	<i>Description</i>	<i>Q'ty</i>	<i>Int</i>	<i>Page</i>	<i>Index</i>	<i>Note</i>
<i>G0709590</i>	<i>NV-RAM - Zero Counter</i>			<i>41</i>	<i>26</i>	

- **Correct the following P/N:**

<i>Incorrect part number</i>	<i>Correct part number</i>	<i>Description</i>	<i>Q'ty</i>	<i>Int</i>	<i>Page</i>	<i>Index</i>	<i>Note</i>
<i>14075335</i>	<i>G0709590</i>	<i>NV-RAM - ZERO COUNTER</i>			<i>65</i>	<i>217</i>	

Model: Model U-P1		Date: 5-Jun-03	No.: MG071008
Modified Article: Right Cover – Vertical Transport		Prepared by: Y.Urushihara	
From: 1st Tech. Support Sec. Service Support Dept.			
Reason for Modification:	<input checked="" type="checkbox"/> Parts catalog correction	<input type="checkbox"/> Vendor change	<input type="checkbox"/> To meet standards ()
	<input type="checkbox"/> To facilitate assembly	<input type="checkbox"/> To improve reliability	
	<input type="checkbox"/> Part standardization	<input type="checkbox"/> Other	

Please note the following revisions made to the U-P1 Parts Catalog, which were applied from the beginning of mass production.

Old part number	New part number	Description	Q'ty	Int	Page	Index	Note
G0701359	B0511359	Right Cover – Vertical Transport	1	X/O	21	30	

Model: Model U-P1		Date: 25-Jun-03	No.: MG071009
Modified Article: Decal - Emblem (Ricoh US only)		Prepared by: H.K.	
From: 1st Tech. Support Sec. Service Support Dept.			
Reason for Modification:	<input checked="" type="checkbox"/> Parts catalog correction	<input type="checkbox"/> Vendor change	<input type="checkbox"/> To meet standards ()
	<input type="checkbox"/> To facilitate assembly	<input type="checkbox"/> To improve reliability	
	<input type="checkbox"/> Part standardization	<input type="checkbox"/> Other	

Please apply the following P/N correction to your Parts Catalogues.

P/N G0711396 is incorrect for the N.A. model, as G0711397 has been used on this model from the beginning of mass production.

Incorrect part number	Correct part number	Description	Q'ty	Int	Page	Index	Note
G0711396	G0711397	Decal - Emblem (RIC)	1		7	17	

Model: Model U-P1		Date: 17-Jul-03	No.: MG071010
Modified Article: EEPROM on the BCU Board		Prepared by: H.K.	
From: 1st Tech. Support Sec. Service Support Dept.			
Reason for Modification:	<input checked="" type="checkbox"/> Parts catalog correction	<input type="checkbox"/> Vendor change	<input type="checkbox"/> To meet standards ()
	<input type="checkbox"/> To facilitate assembly	<input type="checkbox"/> To improve reliability	
	<input type="checkbox"/> Part standardization	<input type="checkbox"/> Other	

Please apply the following corrections to your Parts Catalogues.

1. **Add** the following part, which was missing from the Catalogue:

Part number	Description	Q'ty	Int	Page	Index	Note
14075404	IC - EEPROM I2C BUS 32K DIP	1		53	*193	#

*: New index

Note: The service parts BCU board (#G0705120) does not include this EEPROM (14075404). However, if only the board is defective, it is not necessary to order and replace the EEPROM. Simply replace the board alone, using the EEPROM attached to the old board.

2. **Correct** the following symbol/index numbers (board component table, pg. 49):

Incorrect

Symbol No.	Index No.
IC104	117

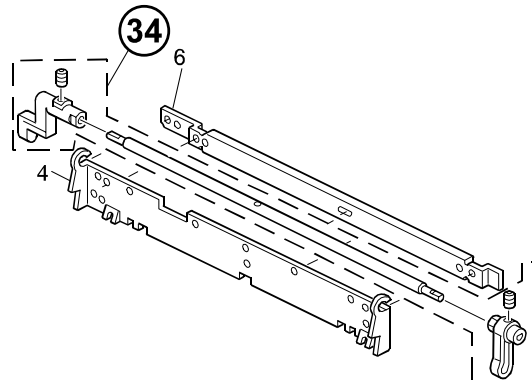
Correct

Symbol No.	Index No.
IC104 (IC socket)	117
IC104	193

Model: Model U-P1		Date: 29-Jul-03	No.: MG071011
Modified Article: Arm Shaft Assembly		Prepared by: Y.Urushihara	
From: 1st Tech. Support Sec. Service Support Dept.			
Reason for Modification:	<input type="checkbox"/> Parts catalog correction <input type="checkbox"/> To facilitate assembly <input type="checkbox"/> Part standardization	<input type="checkbox"/> Vendor change <input checked="" type="checkbox"/> To improve reliability <input type="checkbox"/> Other	<input type="checkbox"/> To meet standards ()

The Front Arm, Rear Arm and Arm Shaft have been combined into one assembly to ensure that the shaft is level when attached, because this is difficult to achieve when installing the individual components without a factory tool.

Old part number	New part number	Description	Q'ty	Int	Page	Index	Note
G0706238		Front Arm	1-0		21	10	
G0706239		Rear Arm	1-0		21	1	
G0706240		Arm Shaft	1-0		21	5	
05730040E		Hexagon Headless Set Screw – M3x4	2-0		21	104	
	→ G0706237	Arm Shaft Assembly	0-1		21	34	



Reissued: 11-Dec-03

Model: Model U-P1	Date: 28-Aug-03	No.: MG071012c
-------------------	-----------------	----------------

MB Correction

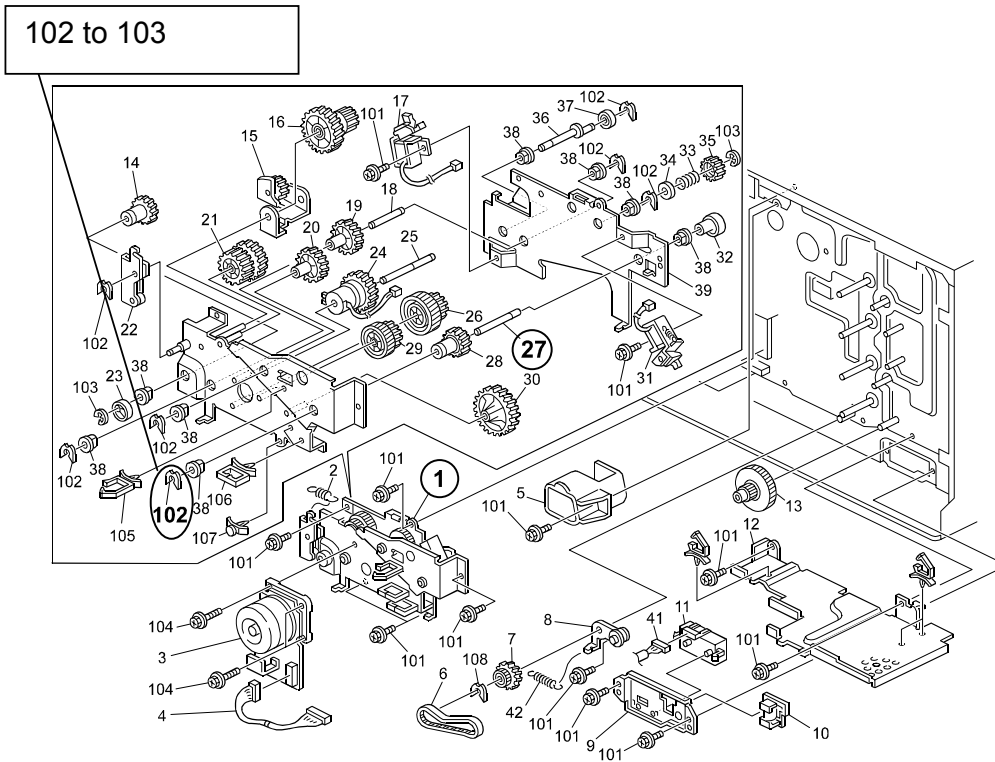
The items in bold italics have been corrected or added.

Modified Article: Bracket – Transport Assembly		Prepared by: Y.Urushihara	
From: 1st Tech. Support Sec. Service Support Dept.			
Reason for Modification:	<input type="checkbox"/> Parts catalog correction	<input type="checkbox"/> Vendor change	<input type="checkbox"/> To meet standards ()
	<input type="checkbox"/> To facilitate assembly	<input checked="" type="checkbox"/> To improve reliability	
	<input type="checkbox"/> Part standardization	<input type="checkbox"/> Other	

The following have been changed to further ensure proper function of the cam (G0704829) by minimizing the possibility of an excessive load placed on the cam.

Old part number	New part number	Description	Q'ty	Int	Page	Index	Note
<i>G0704800</i>	<i>G0704803</i>	Bracket – Transport Assembly	1-1	X/O	37	1	
AA145546	AA145563	Cleaning On/Off Shaft	1-1	X/O	37	27	
08050089		Retaining Ring – M4	n – n-1		57	102	
	07200040E	Retaining Ring – M4	n – n+1	X/O	57	103	

Note: When installing for the first time, parts (AA145563) and E-ring marked index 102 should be changed together **as a set**.



Reissued: 11-Dec-03

Model: Model U-P1	Date: 28-Aug-03	No.: MG071012c
-------------------	-----------------	----------------

[RAI (China) Production]

MODEL NAME	V/Hz	DESTINATION	CODE	SERIAL NO.
Ricoh Aficio CL5000 Savin CLP1036 Gestetner C7010 Lanier LP 036c	120/60	USA	G071-17	P7536700688
Gestetner C7010 Nashuatec C7010 Rex Rotary C7010	220,230,240/ 50,60	Europe, etc	G071-22	P7536800001
Lanier LP 036c	220,230,240/ 50	Europe	G071-24	L104389xxxx
Infotec IPC1036	220,230,240/ 50	Europe	G071-26	4K2893xxxx
Ricoh Aficio CL5000	220,230,240/ 50,60	Europe, Asia, etc	G071-27	P7536800172

Model: Model U-P1		Date: 24-Sep-03	No.: MG071013
Modified Article: Spring Plate – Oil Supply Roller		Prepared by: Y.Urushihara	
From: 1st Tech. Support Sec. Service Support Dept.			
Reason for Modification:	<input checked="" type="checkbox"/> Parts catalog correction <input type="checkbox"/> To facilitate assembly <input type="checkbox"/> Part standardization	<input type="checkbox"/> Vendor change <input type="checkbox"/> To improve reliability <input type="checkbox"/> Other	<input type="checkbox"/> To meet standards ()

The following part has not been used from mass production, so please delete it from your parts catalogue.

Old part number	New part number	Description	Q'ty	Int	Page	Index	Note
G0704317		Spring Plate – Oil Supply Roller	1-0		43	9	

[RAI (China) Production]

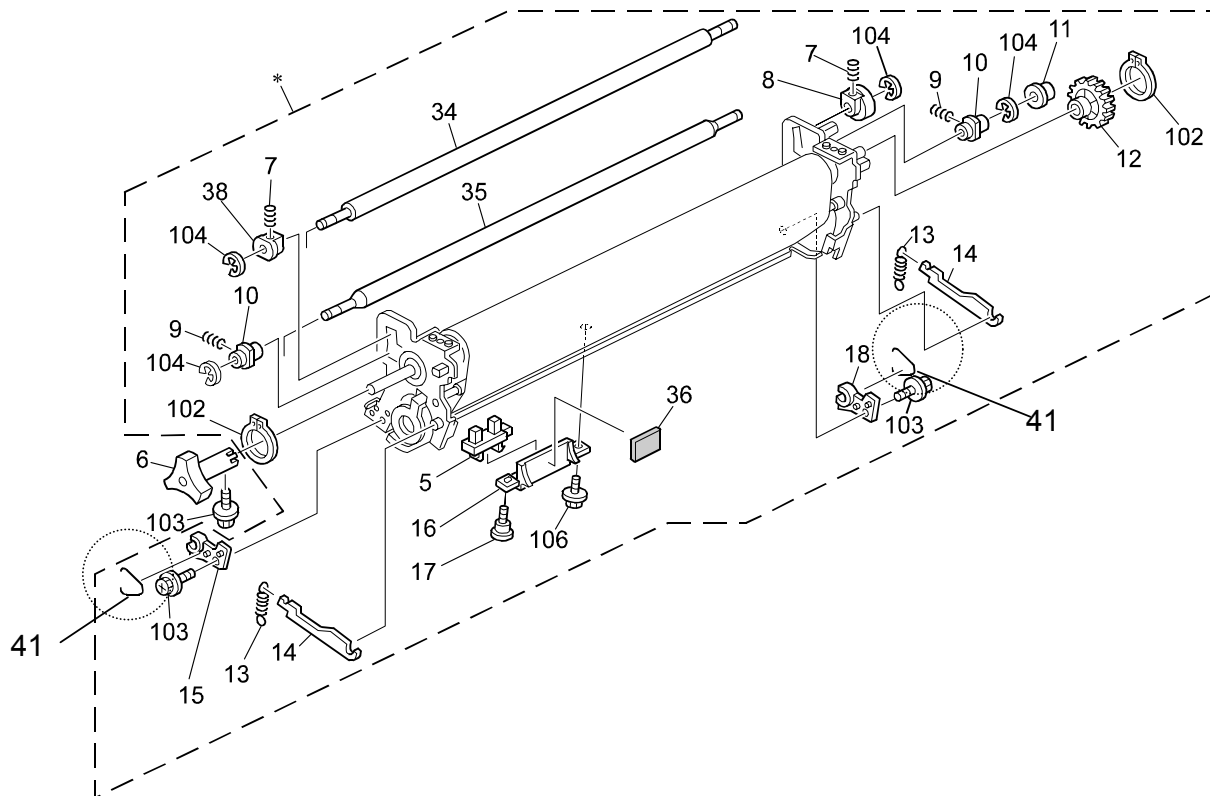
MODEL NAME	V/Hz	DESTINATION	CODE	SERIAL NO.
Ricoh Aficio CL5000 Savin CLP1036 Gestetner C7010 Lanier LP 036c	120/60	USA	G071-17	P7526700001
Gestetner C7010 Nashuatec C7010 Rex Rotary C7010	220,230,240/ 50,60	Europe, etc	G071-22	P75268xxxxx
Lanier LP 036c	220,230,240/ 50	Europe	G071-24	L104288xxxx
Infotec IPC1036	220,230,240/ 50	Europe	G071-26	4K2882xxxx
Ricoh Aficio CL5000	220,230,240/ 50,60	Europe, Asia, etc	G071-27	P7526700008

Model: Model U-P1	Date: 20-Oct-03	No.: MG071014
-------------------	-----------------	---------------

Modified Article: Stopper Spring		Prepared by: Y. Ohtani	
From: 1st Tech. Support Sec. Service Support Dept.			
Reason for Modification:	<input checked="" type="checkbox"/> Parts catalog correction	<input type="checkbox"/> Vendor change	<input type="checkbox"/> To meet standards ()
	<input type="checkbox"/> To facilitate assembly	<input type="checkbox"/> To improve reliability	
	<input type="checkbox"/> Part standardization	<input type="checkbox"/> Other	

Please add the following information, which was previously missing from the Parts Catalog.

Old part number	New part number	Description	Q'ty	Int	Page	Index	Note
	G0704153	Stopper Spring	2		30	41	



Model: Model U-P1		Date: 27-Oct-03	No.: MG071015
Modified Article: Paper Feed Roller – 36mm		Prepared by: Y. Ohtani	
From: 1st Tech. Support Sec. Service Support Dept.			
Reason for Modification:	<input checked="" type="checkbox"/> Parts catalog correction <input type="checkbox"/> To facilitate assembly <input type="checkbox"/> Part standardization	<input type="checkbox"/> Vendor change <input type="checkbox"/> To improve reliability <input type="checkbox"/> Other	<input type="checkbox"/> To meet standards ()

The shape of the Paper Feed Roller has been changed to ensure that the roller is not damaged when the tray is pulled out following a paper feed jam.

Old part number	New part number	Description	Q'ty	Int	Page	Index	Note
AF031059	AF031084	Paper Feed Roller – 36mm	1	O/O	16	18	

[RAI (China) Production]

MODEL NAME	V/Hz	DESTINATION	CODE	SERIAL NO.
Ricoh Aficio CL5000 Savin CLP1036 Gestetner C7010 Lanier LP 036c	120/60	USA	G071-17	P7536900304
Gestetner C7010 Nashuatec C7010 Rex Rotary C7010	220,230,240/ 50,60	Europe, etc	G071-22	P75370xxxxx
Lanier LP 036c	220,230,240/ 50	Europe	G071-24	L1043890001
Infotec IPC1036	220,230,240/ 50	Europe	G071-26	4K2903xxxx
Ricoh Aficio CL5000	220,230,240/ 50,60	Europe, Asia, etc	G071-27	P7536900001

Model: Model U-P1		Date: 28-Oct-03	No.: MG071016
Modified Article: Spacers		Prepared by: H.K.	
From: 1st Tech. Support Sec. Service Support Dept.			
Reason for Modification:	<input type="checkbox"/> Parts catalog correction <input type="checkbox"/> To facilitate assembly <input type="checkbox"/> Part standardization	<input type="checkbox"/> Vendor change <input type="checkbox"/> To improve reliability <input checked="" type="checkbox"/> Other	<input type="checkbox"/> To meet standards ()

The following spacers have been added to minimize trapezoid, skewed or trapezoid/skewed images. Please see RTB #RG071010 for the specific troubleshooting flow and attachment procedure.

Old part number	New part number	Description	Q'ty	Int	Page	Index	Note
	B0514370	Rail spacer – 18.5X19.5X3.3	0-1		29	#24	
	B0514371	Lower pressure spacer	0-1		29	#25	

#: New index

[RAI (China) Production]

MODEL NAME	V/Hz	DESTINATION	CODE	SERIAL NO.
Ricoh Aficio CL5000 Savin CLP1036 Gestetner C7010 Lanier LP 036c	120/60	USA	G071-17	P7536500383
Gestetner C7010 Nashuatec C7010 Rex Rotary C7010	220,230,240/ 50,60	Europe, etc	G071-22	P7536500001
Lanier LP 036c	220,230,240/ 50	Europe	G071-24	L1043850001
Infotec IPC1036	220,230,240/ 50	Europe	G071-26	4K2863xxxx
Ricoh Aficio CL5000	220,230,240/ 50,60	Europe, Asia, etc	G071-27	P7536500166

Model: Model U-P1		Date: 28-Oct-03	No.: MG071017
Modified Article: Parts Catalogue		Prepared by: H.K.	
From: 1st Tech. Support Sec. Service Support Dept.			
Reason for Modification:	<input checked="" type="checkbox"/> Parts catalog correction	<input type="checkbox"/> Vendor change	<input type="checkbox"/> To meet standards ()
	<input type="checkbox"/> To facilitate assembly	<input type="checkbox"/> To improve reliability	
	<input type="checkbox"/> Part standardization	<input type="checkbox"/> Other	

Please correct your parts catalogue as follows:

Incorrect part number	Correct part number	Description	Q'ty	Int	Page	Index	Note
AB040018	AB040020	Spring Clutch - 27Z	2		37	14 28	

Model: Model U-P1		Date: 28-Oct-03	No.: MG071018
Modified Article: ROM-DIMM for PS/PCL		Prepared by: H.K.	
From: 1st Tech. Support Sec. Service Support Dept.			
Reason for Modification:	<input type="checkbox"/> Parts catalog correction <input type="checkbox"/> To facilitate assembly <input type="checkbox"/> Part standardization	<input type="checkbox"/> Vendor change <input type="checkbox"/> To improve reliability <input checked="" type="checkbox"/> Other	<input type="checkbox"/> To meet standards ()

Old part number	New part number	Description	Q'ty	Int	Page	Index	Note
G0705851	G0705852	ROM-DIMM PCB - PS/PCL	1	X/O	41	10	

For details, please refer to General RTB No. 011.

[RAI (China) Production]

MODEL NAME	V/Hz	DESTINATION	CODE	SERIAL NO.
Ricoh Aficio CL5000 Savin CLP1036 Gestetner C7010 Lanier LP 036c	120/60	USA	G071-17	P7527200282
Gestetner C7010 Nashuatec C7010 Rex Rotary C7010	220,230,240/ 50,60	Europe, etc	G071-22	P7527200192
Lanier LP 036c	220,230,240/ 50	Europe	G071-24	L1042920001
Infotec IPC1036	220,230,240/ 50	Europe	G071-26	4K2813xxxx
Ricoh Aficio CL5000	220,230,240/ 50,60	Europe, Asia, etc	G071-27	P757200001

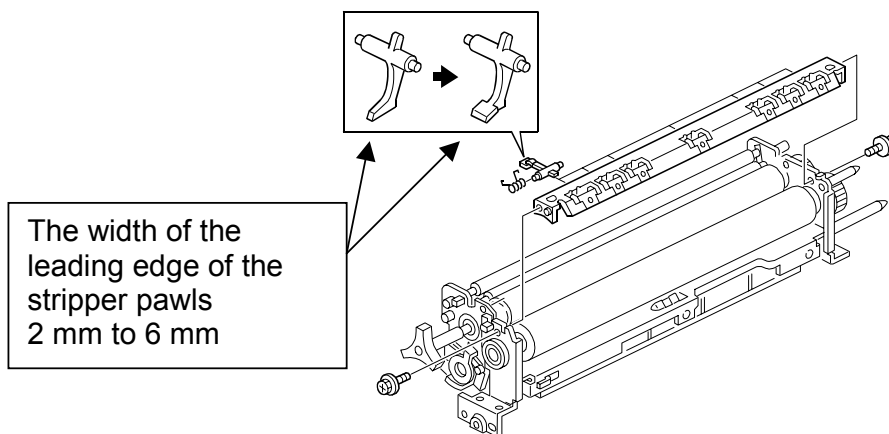
Model: Model U-P1		Date: 27-Nov-03	No.: MG071019
Modified Article: Pick-off Pawl – Pressure Roller		Prepared by: H.K.	
From: 1st Tech. Support Sec. Service Support Dept.			
Reason for Modification:	<input type="checkbox"/> Parts catalog correction <input type="checkbox"/> To facilitate assembly <input type="checkbox"/> Part standardization	<input type="checkbox"/> Vendor change <input type="checkbox"/> To improve reliability <input checked="" type="checkbox"/> Other	<input type="checkbox"/> To meet standards ()

The width of the leading edge of the stripper pawls has been changed from 2 mm to 6 mm. The angle for the pawls has also been changed.

Due to this modification, the stripper pawl springs also have been changed.

Incorrect part number	Correct part number	Description	Q'ty	Int	Page	Index	Note
G0704004	G0704010	Pick-off Pawl Assembly	1-1	X/O	29	1	
AE044041	AE044050	Stripper Pawl	7-7	X/X	29	6	*
AA069261	AA069263	Stripper Pawl Spring	7-7	X/X	29	13	*

Note: When installing for the first time, these parts should be changed **together as a set**.



[RAI (China) Production]

MODEL NAME	V/Hz	DESTINATION	CODE	SERIAL NO.
Ricoh Aficio CL5000 Savin CLP1036 Gestetner C7010 Lanier LP 036c	120/60	USA	G071-17	P7536800318
Gestetner C7010 Nashuatec C7010 Rex Rotary C7010	220,230,240/ 50,60	Europe, etc	G071-22	P7536800071
Lanier LP 036c	220,230,240/ 50	Europe	G071-24	L1043890001
Infotec IPC1036	220,230,240/ 50	Europe	G071-26	4K2903xxxx
Ricoh Aficio CL5000	220,230,240/ 50,60	Europe, Asia, etc	G071-27	P7536800172

Model: Model U-P1		Date: 9-Feb-04	No.: MG071020
Modified Article: Front Transfer Guide		Prepared by: H.K.	
From: 1st Tech. Support Sec. Service Support Dept.			
Reason for Modification:	<input checked="" type="checkbox"/> Parts catalog correction	<input type="checkbox"/> Vendor change	<input type="checkbox"/> To meet standards ()
	<input type="checkbox"/> To facilitate assembly	<input type="checkbox"/> To improve reliability	
	<input type="checkbox"/> Part standardization	<input type="checkbox"/> Other	

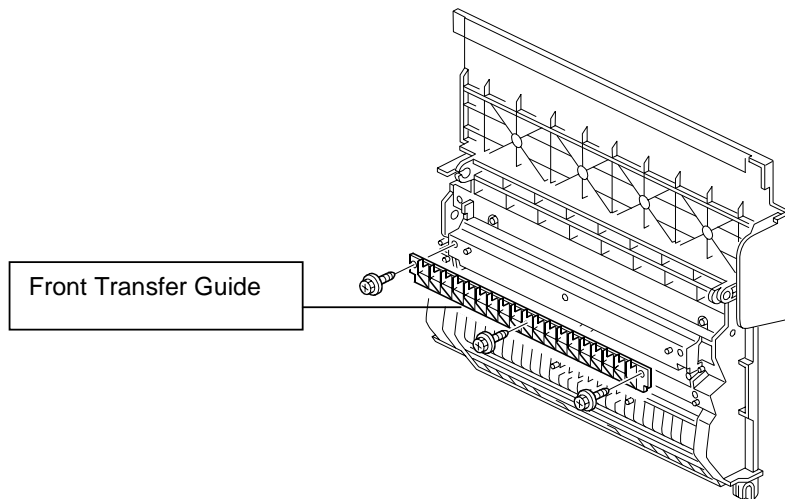
Please apply the following corrections to your Parts Catalogues.

Incorrect part number	Correct part number	Description	Q'ty	Int	Page	Index	Note
	B0511365	Front Transfer Guide	0 - 1		21	*33	

*:New index

Note:

The Front Transfer Guide was added as it was previously missing from the Parts Catalogue.



Model: Model U-P1		Date: 12-Feb-04	No.: MG071021
Modified Article: Application Middle Bracket		Prepared by: H.K.	
From: 1st Tech. Support Sec. Service Support Dept.			
Reason for Modification:	<input type="checkbox"/> Parts catalog correction <input type="checkbox"/> To facilitate assembly <input type="checkbox"/> Part standardization	<input type="checkbox"/> Vendor change <input type="checkbox"/> To improve reliability <input checked="" type="checkbox"/> Other	<input type="checkbox"/> To meet standards ()

Old part number	New part number	Description	Q'ty	Int	Page	Index	Note
G0705523	G0705520	Application Middle Bracket	1 - 1	X/O	41	9	

The height of the Application Middle Bracket has been reduced by 0.6mm to ensure the controller is always attached in the optimal position. For details, please refer to RTB No. RG071011.

[RAI (China) Production]

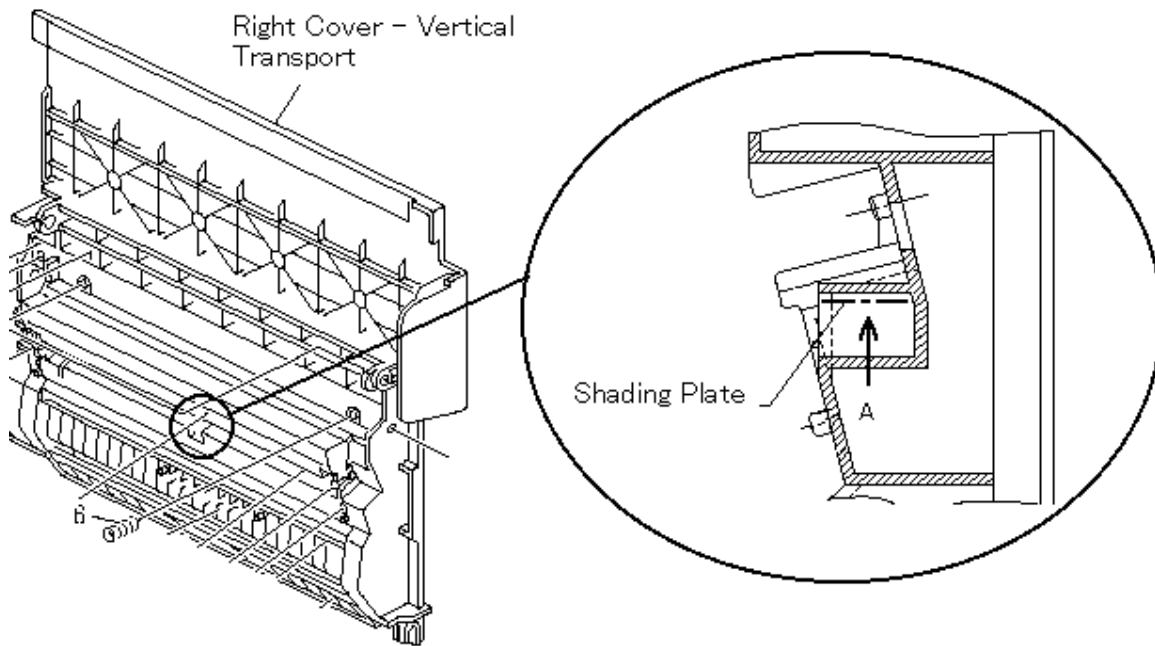
MODEL NAME	V/Hz	DESTINATION	CODE	SERIAL NO.
Ricoh Aficio CL5000 Savin CLP1036 Gestetner C7010 Lanier LP 036c	120/60	USA	G071-17	P7546100072
Gestetner C7010 Nashuatec C7010 Rex Rotary C7010	220,230,240/ 50,60	Europe, etc	G071-22	P7546100001
Lanier LP 036c	220,230,240/ 50	Europe	G071-24	L104482xxxx
Infotec IPC1036	220,230,240/ 50	Europe	G071-26	4K2824xxxx
Ricoh Aficio CL5000	220,230,240/ 50,60	Europe, Asia, etc	G071-27	P7546100039

Model: Model U-P1		Date: 18-Feb-04	No.: MG071022
Modified Article: Grid Shading Plate		Prepared by: H.K.	
From: 1st Tech. Support Sec. Service Support Dept.			
Reason for Modification:	<input type="checkbox"/> Parts catalog correction	<input type="checkbox"/> Vendor change	<input type="checkbox"/> To meet standards ()
	<input type="checkbox"/> To facilitate assembly	<input type="checkbox"/> To improve reliability	
	<input type="checkbox"/> Part standardization	<input checked="" type="checkbox"/> Other	

Old part number	New part number	Description	Q'ty	Int	Page	Index	Note
	G0702136	Grid Shading Plate	0 - 1		21	*34	

*: New index

A black shading plate has been added to the vertical transport right cover, which will further ensure proper paper feed by preventing registration sensor misdetections caused by light diffused by paper dust.



Model: Model U-P1	Date: 18-Feb-04	No.: MG071022
-------------------	-----------------	---------------

[RAI (China) Production]

MODEL NAME	V/Hz	DESTINATION	CODE	SERIAL NO.
Ricoh Aficio CL5000 Savin CLP1036 Gestetner C7010 Lanier LP 036c	120/60	USA	G071-17	P7527000006
Gestetner C7010 Nashuatec C7010 Rex Rotary C7010	220,230,240/ 50,60	Europe, etc	G071-22	P7527100553
Lanier LP 036c	220,230,240/ 50	Europe	G071-24	L1042910001
Infotec IPC1036	220,230,240/ 50	Europe	G071-26	4K2922xxxx
Ricoh Aficio CL5000	220,230,240/ 50,60	Europe, Asia, etc	G071-27	P7527100001

Model: Model U-P1		Date: 13-May-04	No.: MG071023
Modified Article: Photoconductor Unit		Prepared by: H.K.	
From: 1st Tech. Support Sec. Service Support Dept.			
Reason for Modification:	<input type="checkbox"/> Parts catalog correction <input type="checkbox"/> To facilitate assembly <input type="checkbox"/> Part standardization	<input type="checkbox"/> Vendor change <input checked="" type="checkbox"/> To improve reliability <input type="checkbox"/> Other	<input type="checkbox"/> To meet standards ()

To increase the durability of the OPC belt cleaning unit, the material of the OPC belt cleaning blade has been changed.

Old part number	New part number	Description	Q'ty	Int	Page	Index	Note
G0702050	G1002051	Charge Section Assembly	1-1	X/O	25	42	
04513006B		Tapping Screw – M3X6			25	101	
	→ 08025279	Tapping Screw With Washer - M3X8		X/O	25	101	*

Note:

The modified PCUs are now secured with a tapping screw and a washer, instead of a tapping screw alone. This is to facilitate assembly on the production line as well as to further ensure the unit is not deformed when the fixing screws are tightened in place.

[RAI (China) Production]

MODEL NAME	V/Hz	DESTINATION	CODE	SERIAL NO.
Ricoh Aficio CL5000 Savin CLP1036 Gestetner C7010 Lanier LP 036c	120/60	USA	G071-17	P7537000496
Gestetner C7010 Nashuatec C7010 Rex Rotary C7010	220,230,240/ 50,60	Europe, etc	G071-22	P7537000068
Lanier LP 036c	220,230,240/ 50	Europe	G071-24	L1043900001
Infotec IPC1036	220,230,240/ 50	Europe	G071-26	4K2913xxxx
Ricoh Aficio CL5000	220,230,240/ 50,60	Europe, Asia, etc	G071-27	P7537000101

Model: Model U-P1		Date: 18-May-04	No.: MG071024
Modified Article: Development units		Prepared by: H.K.	
From: 1st Tech. Support Sec. Service Support Dept.			
Reason for Modification:	<input type="checkbox"/> Parts catalog correction <input type="checkbox"/> To facilitate assembly <input type="checkbox"/> Part standardization	<input type="checkbox"/> Vendor change <input checked="" type="checkbox"/> To improve reliability <input type="checkbox"/> Other	<input type="checkbox"/> To meet standards ()

Old part number	New part number	Description	Q'ty	Int	Page	Index	Note
G7823025	G7823035	Development Unit – M	1	X/O	27	22	
G7823026	G7823036	Development Unit – Y	1	X/O	27	20	
G7823027	G7823037	Development Unit – C	1	X/O	27	21	

The following modifications were applied to the Development Unit to further improve toner charging.

- The doctor roller plate spring has been removed to optimize the pressure distribution of the roller.
- The same bias applied to the doctor roller and toner supply roller is now applied to the entrance seal bracket as well, in order to ensure a uniform charge across all three components.
- The diameter of the Cyan doctor roller has been increased from 10mm to 12mm.
Note: The doctor roller diameters for the other colors have been 12mm from the beginning of mass production.

[RAI (China) Production]

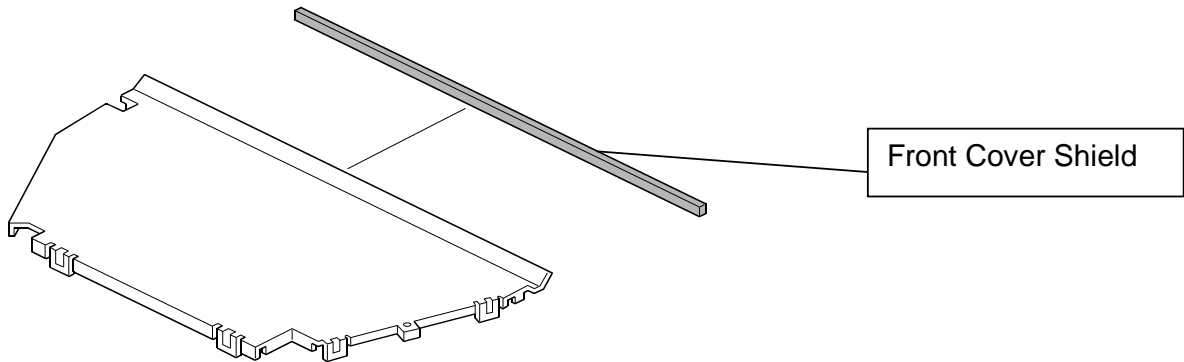
MODEL NAME	V/Hz	DESTINATION	CODE	SERIAL NO.
Ricoh Aficio CL5000 Savin CLP1036 Gestetner C7010 Lanier LP 036c	120/60	USA	G071-17	P7536900304
Gestetner C7010 Nashuatec C7010 Rex Rotary C7010	220,230,240/ 50,60	Europe, etc	G071-22	P7537000001
Lanier LP 036c	220,230,240/ 50	Europe	G071-24	L1043890001
Infotec IPC1036	220,230,240/ 50	Europe	G071-26	4K2913xxxx
Ricoh Aficio CL5000	220,230,240/ 50,60	Europe, Asia, etc	G071-27	P7536900001

Model: Model U-P1		Date: 25-May-04	No.: MG071025
Modified Article: Parts Catalogue		Prepared by: H.K.	
From: 1st Tech. Support Sec. Service Support Dept.			
Reason for Modification:	<input checked="" type="checkbox"/> Parts catalog correction	<input type="checkbox"/> Vendor change	<input type="checkbox"/> To meet standards ()
	<input type="checkbox"/> To facilitate assembly	<input type="checkbox"/> To improve reliability	
	<input type="checkbox"/> Part standardization	<input type="checkbox"/> Other	

Illustration Correction

The following is the correct illustration for the front cover shield (P/N G0701942, pg. 23, index #2).

Note: This part ensures that foreign material (dust, toner) does not get inside the LD unit.



Model: Model U-P1	Date: 21-Sep-04	No.: MG071026
-------------------	-----------------	---------------

Modified Article: BCU Board		Prepared by: H.K.	
From: 1st Tech. Support Sec. Service Support Dept.			
Reason for Modification:	<input type="checkbox"/> Parts catalog correction	<input type="checkbox"/> Vendor change	<input type="checkbox"/> To meet standards ()
	<input type="checkbox"/> To facilitate assembly	<input type="checkbox"/> To improve reliability	
	<input type="checkbox"/> Part standardization	<input checked="" type="checkbox"/> Other	

Old part number	New part number	Description	Q'ty	Int	Page	Index	Note
G0705120	G0705121	BCU BOARD	1 - 1	O/O	43 53	6 *	

Change: BCU firmware modification (v1.40 or later)

Reason: See RTB G071004e.

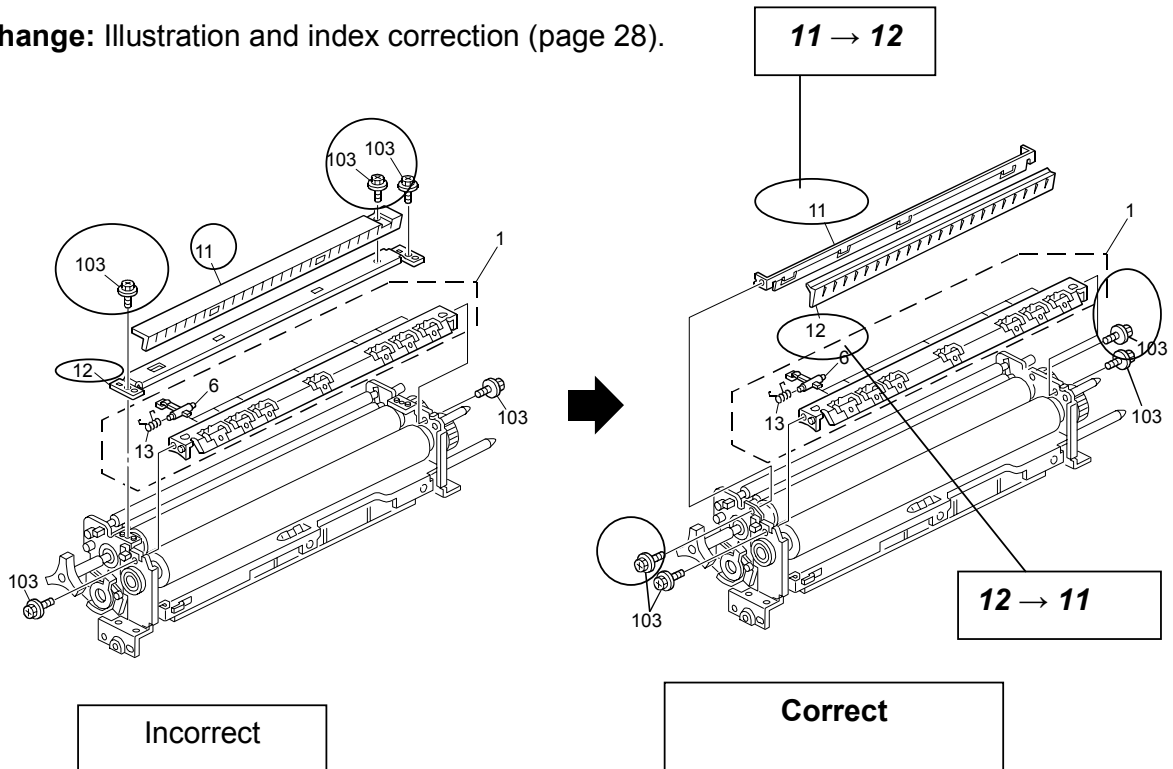
Reissued: 11-Jan-05

Model: Model U-P1	Date: 8-Nov-04	No.: MG071027a
-------------------	----------------	----------------

MB Correction

Modified Article: Parts Catalogue	Prepared by: H.K.
From: 1st Tech. Support Sec. Service Support Dept.	
Reason for Modification:	<input checked="" type="checkbox"/> Parts catalog correction <input type="checkbox"/> Vendor change <input type="checkbox"/> Other
	<input type="checkbox"/> To facilitate assembly <input type="checkbox"/> To improve reliability <input type="checkbox"/> To meet standards
	<input type="checkbox"/> Part standardization <input type="checkbox"/> Product Safety ()

Change: Illustration and index correction (page 28).



Model: Model U-P1		Date: 8-Nov-04	No.: MG071028
Modified Article: Development units		Prepared by: H.K.	
From: 1st Tech. Support Sec. Service Support Dept.			
Reason for Modification:	<input type="checkbox"/> Parts catalog correction <input type="checkbox"/> To facilitate assembly <input type="checkbox"/> Part standardization	<input type="checkbox"/> Vendor change <input checked="" type="checkbox"/> To improve reliability <input type="checkbox"/> Other	<input type="checkbox"/> To meet standards ()

Old part number	New part number	Description	Q'ty	Int	Page	Index	Note
G7823035	G7823055	Development Unit – M	1	O/O	27	22	
G7823036	G7823056	Development Unit – Y	1	O/O	27	20	
G7823037	G7823057	Development Unit – C	1	O/O	27	21	

Change: Doctor roller diameter changed, entrance seal added.

Reason: To minimize toner dropping and further ensure the development unit works properly (**See “Details, Reason” below**).

Note: The interchangeability between the old and new parts is O/O. This is because the old parts in stock were reworked.

Model: Model U-P1	Date: 8-Nov-04	No.: MG071028
-------------------	----------------	---------------

Details, Reason:

The following changes were applied to the development unit:

1. The assembly procedure for the development unit was improved. A special tool is used to minimize the clearance between the doctor roller and seal.
2. The doctor roller diameter has been optimized to further ensure the proper nip pressure between the doctor and the development rollers.
3. An additional entrance seal has been added (partially overlapping the original seal). This makes sure that the development unit is properly sealed; even if foreign particles get caught under the original seal.



Labels with a blue circle:
These are old units that were reworked at the warehouse (= same as new units).



Labels with a "+":
New development units.

“+”

[RAI (China) Production]

MODEL NAME	V/Hz	DESTINATION	CODE	SERIAL NO.
Ricoh Aficio CL5000 Savin CLP1036 Gestetner C7010 Lanier LP 036c	120/60	USA	G071-17	P7546700112
Gestetner C7010 Nashuatec C7010 Rex Rotary C7010	220,230,240/ 50,60	Europe, etc	G071-22	P7546600001
Lanier LP 036c	220,230,240/ 50	Europe	G071-24	L1044860001
Infotec IPC1036	220,230,240/ 50	Europe	G071-26	4K2664xxxx
Ricoh Aficio CL5000	220,230,240/ 50,60	Europe, Asia, etc	G071-27	P7546600051

Model: Model U-P1		Date: 7-Jan-05	No.: MG071029
Modified Article: Development Cluch		Prepared by: H.K.	
From: 1st Tech. Support Sec. Service Support Dept.			
Reason for Modification:	<input type="checkbox"/> Parts catalog correction <input type="checkbox"/> Vendor change <input checked="" type="checkbox"/> Other		
	<input type="checkbox"/> To facilitate assembly <input type="checkbox"/> To improve reliability <input type="checkbox"/> To meet standards		
	<input type="checkbox"/> Part standardization <input type="checkbox"/> Product Safety ()		

Old part number	New part number	Description	Q'ty	Int	Page	Index	Note
AX210078	AX210088	Magnetic Clutch	3 - 3	X/O	35	6	
AX210079	AX210089	Magnetic Clutch	1 - 1	X/O	35	7	

Change: The torque of the clutch was increased.

Reason: To make the transmission of drive in the development unit smoother.

[RAI (China) Production]

MODEL NAME	V/Hz	DESTINATION	CODE	SERIAL NO.
Ricoh Aficio CL5000 Savin CLP1036 Gestetner C7010 Lanier LP 036c	120/60	USA	G071-17	P7546700112
Gestetner C7010 Nashuatec C7010 Rex Rotary C7010	220,230,240/ 50,60	Europe, etc	G071-22	P7546500018
Lanier LP 036c	220,230,240/ 50	Europe	G071-24	L1044850005
Infotec IPC1036	220,230,240/ 50	Europe	G071-26	4K2884xxxx
Ricoh Aficio CL5000	220,230,240/ 50,60	Europe, Asia, etc	G071-27	P7546500122

Model: Model U-P1		Date: 7-Jan-05	No.: MG071030
Modified Article: Side Fences and Paper Tray		Prepared by: H.K.	
From: 1st Tech. Support Sec. Service Support Dept.			
Reason for Modification:	<input type="checkbox"/> Parts catalog correction	<input type="checkbox"/> Vendor change	<input type="checkbox"/> To meet standards ()
	<input type="checkbox"/> To facilitate assembly	<input type="checkbox"/> To improve reliability	
	<input type="checkbox"/> Part standardization	<input checked="" type="checkbox"/> Other	

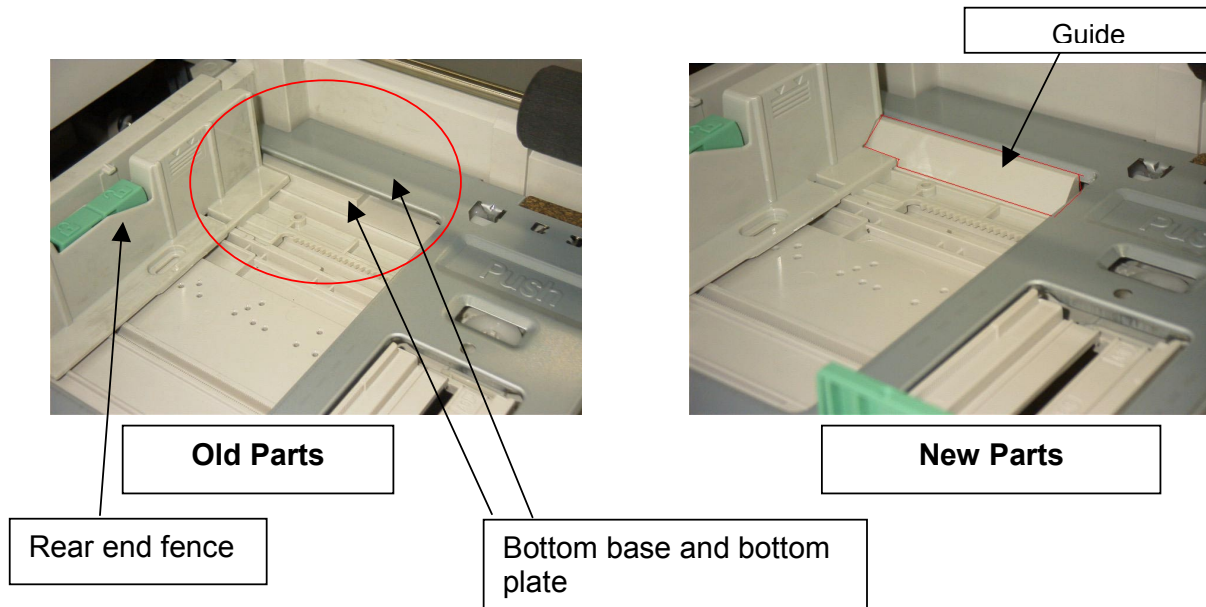
Old part number	New part number	Description	Q'ty	Int	Page	Index	Note
AF016097	AF016183	Side Fence: Front	1 - 1	X/X	17	26	
AF016098	AF016184	Side Fence: Rear	1 - 1	X/X	17	28	
G0702712	B1542712	Side Fence: Front: Ass'y	1 - 1	X/X	17	1	
G0702716	B1542716	Side Fence: Rear Tray	1 - 1	X/X	17	6	
G0702700	B0512711	Paper Tray: Ass'y	1 - 1	X/O	17	*	

Change:

- 1) Two guides were added to the bottom base of the paper tray
- 2) The shape of the side fences was changed

Reason: To make it easier to load the paper in the tray. This ensures that paper does not get caught in the gap between the bottom base and bottom plate.

Important: If the old side fence needs to be replaced, install the new paper tray (B0512711).



Model: Model U-P1	Date: 7-Jan-05	No.: MG071030
-------------------	----------------	---------------

[RAI (China) Production]

MODEL NAME	V/Hz	DESTINATION	CODE	SERIAL NO.
Ricoh Aficio CL5000 Savin CLP1036 Gestetner C7010 Lanier LP 036c	120/60	USA	G071-17	P75470xxxxx
Gestetner C7010 Nashuatec C7010 Rex Rotary C7010	220,230,240/ 50,60	Europe, etc	G071-22	P7546900001
Lanier LP 036c	220,230,240/ 50	Europe	G071-24	L104490xxxx
Infotec IPC1036	220,230,240/ 50	Europe	G071-26	4K2904xxxx
Ricoh Aficio CL5000	220,230,240/ 50,60	Europe, Asia, etc	G071-27	P75470xxxxx

Model: Model U-P1		Date: 22-Feb-05	No.: MG071031
Modified Article: Transport Bracket		Prepared by: H.K.	
From: 1st Tech. Support Sec. Service Support Dept.			
Reason for Modification:	<input type="checkbox"/> Parts catalog correction <input type="checkbox"/> To facilitate assembly <input type="checkbox"/> Part standardization	<input type="checkbox"/> Vendor change <input type="checkbox"/> To improve reliability <input checked="" type="checkbox"/> Other	<input type="checkbox"/> To meet standards ()

Old part number	New part number	Description	Q'ty	Int	Page	Index	Note
AB014208	G0704830	GEAR - 49Z	1	X/O	37	30	
G0704803	B0514807	TRANSPORT BRACKET	1	X/O	37	1	
G0704810	G0704816	SWIVEL BRACKET	1	X/O	37	15	

Noises from the transport bracket were reported from the field. The bushings have been changed to ball bearings.

[RAI (China) Production]

MODEL NAME	V/Hz	DESTINATION	CODE	SERIAL NO.
Ricoh Aficio CL5000 Savin CLP1036 Gestetner C7010 Lanier LP 036c	120/60	USA	G071-17	P75410xxxxx
Gestetner C7010 Nashuatec C7010 Rex Rotary C7010	220,230,240/ 50,60	Europe, etc	G071-22	P7546900001
Lanier LP 036c	220,230,240/ 50	Europe	G071-24	L104490xxxx
Infotec IPC1036	220,230,240/ 50	Europe	G071-26	4K2904xxxx
Ricoh Aficio CL5000	220,230,240/ 50,60	Europe, Asia, etc	G071-27	P7546900082

Model: Model U-P1		Date: 26-May-05	No.: MG071032
Modified Article: By-pass Feed Table Cover		Prepared by: Y.Urushihara	
From: 1st Tech. Support Sec. Service Support Dept.			
Reason for Modification:	<input type="checkbox"/> Parts catalog correction <input type="checkbox"/> To facilitate assembly <input type="checkbox"/> Part standardization	<input type="checkbox"/> Vendor change <input type="checkbox"/> To improve reliability <input checked="" type="checkbox"/> Other	<input type="checkbox"/> To meet standards ()

Old part number	New part number	Description	Q'ty	Int	Page	Index	Note
G3046840	G3046862	Cover – By-pass Feed Table	1-1	X/O	13	11	

Change: The material for the bypass feed table was changed.

Reason: To increase the strength of the joints.

[RAI (China) Production]

MODEL NAME	V/Hz	DESTINATION	CODE	SERIAL NO.
Ricoh Aficio CL5000 Savin CLP1036 Gestetner C7010 Lanier LP 036c	120/60	USA	G071-17	P75563xxxxx
Gestetner C7010 Nashuatec C7010 Rex Rotary C7010	220,230,240/ 50,60	Europe, etc	G071-22	P75563xxxxx
Lanier LP 036c	220,230,240/ 50	Europe	G071-24	L104583xxxx
Infotec IPC1036	220,230,240/ 50	Europe	G071-26	4K2835xxxx
Ricoh Aficio CL5000	220,230,240/ 50,60	Europe, Asia, etc	G071-27	P7556200001